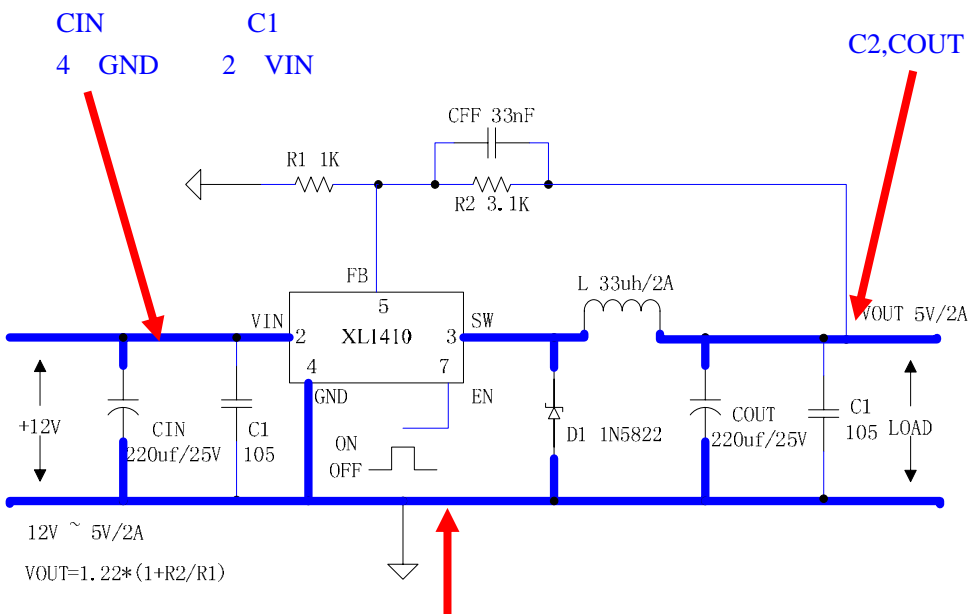
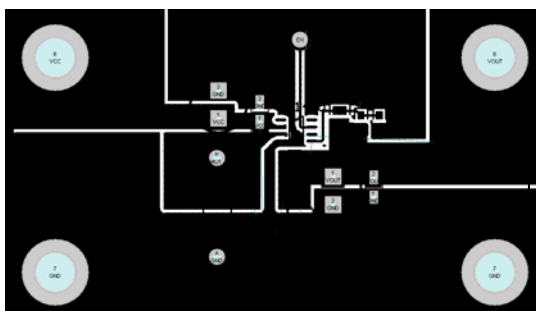
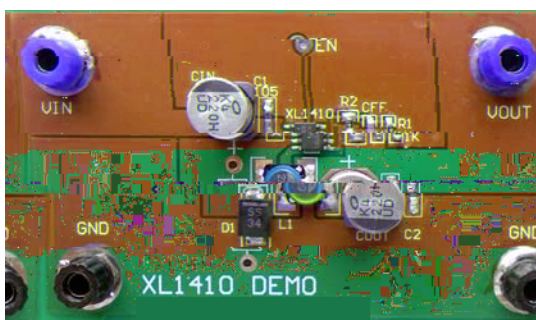


XL1410 PCB

- 1
- 2 4 GND 2 VIN CIN 105 C1
2 VIN 4 (GND)
- 3 3 SW 3 SW
- 4 5 FB C2,COUT ,PCB L1,D1,

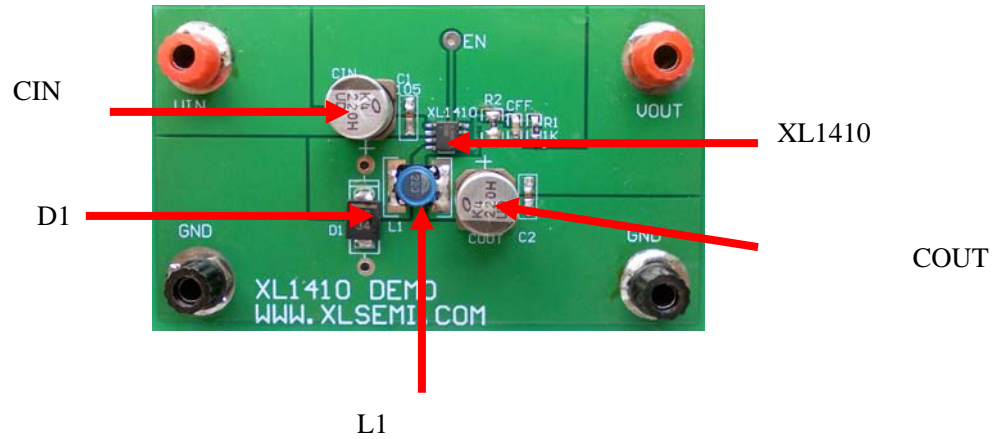
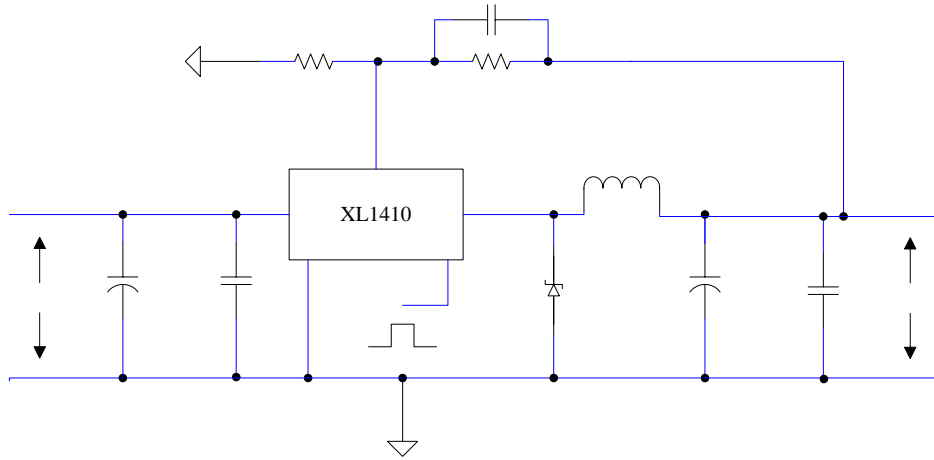


XL1410PCB



XL1410

1 XL1410 PCB



2 XL1410 DEMO

12V 5V

16

	0.2A	0.5A	1A	1.5A	2A
XL1410	27	28	31	33	42
33uH/2A	24	25	28	29	35
IN5822	22	25	26	30	35
35V/220uF	22	23	25	26	31
35V/220uF	22	23	24	26	29